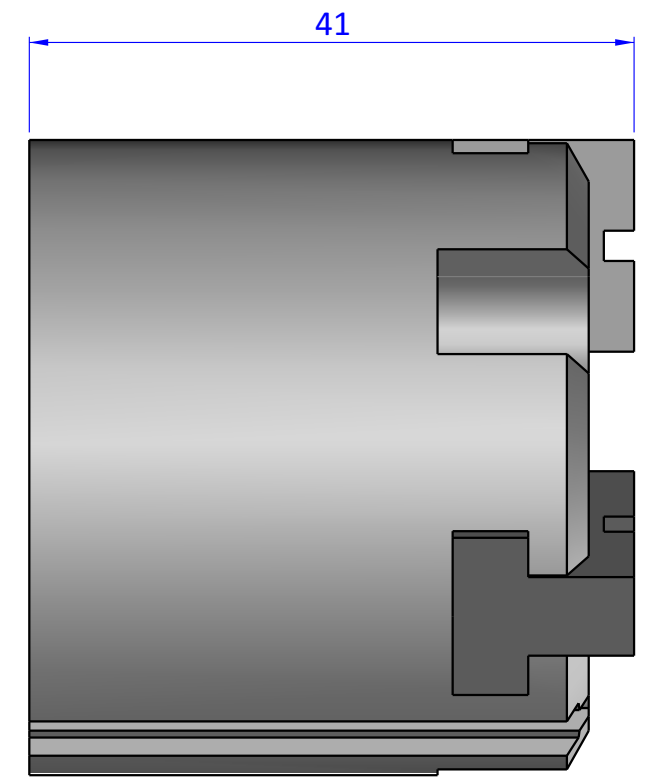
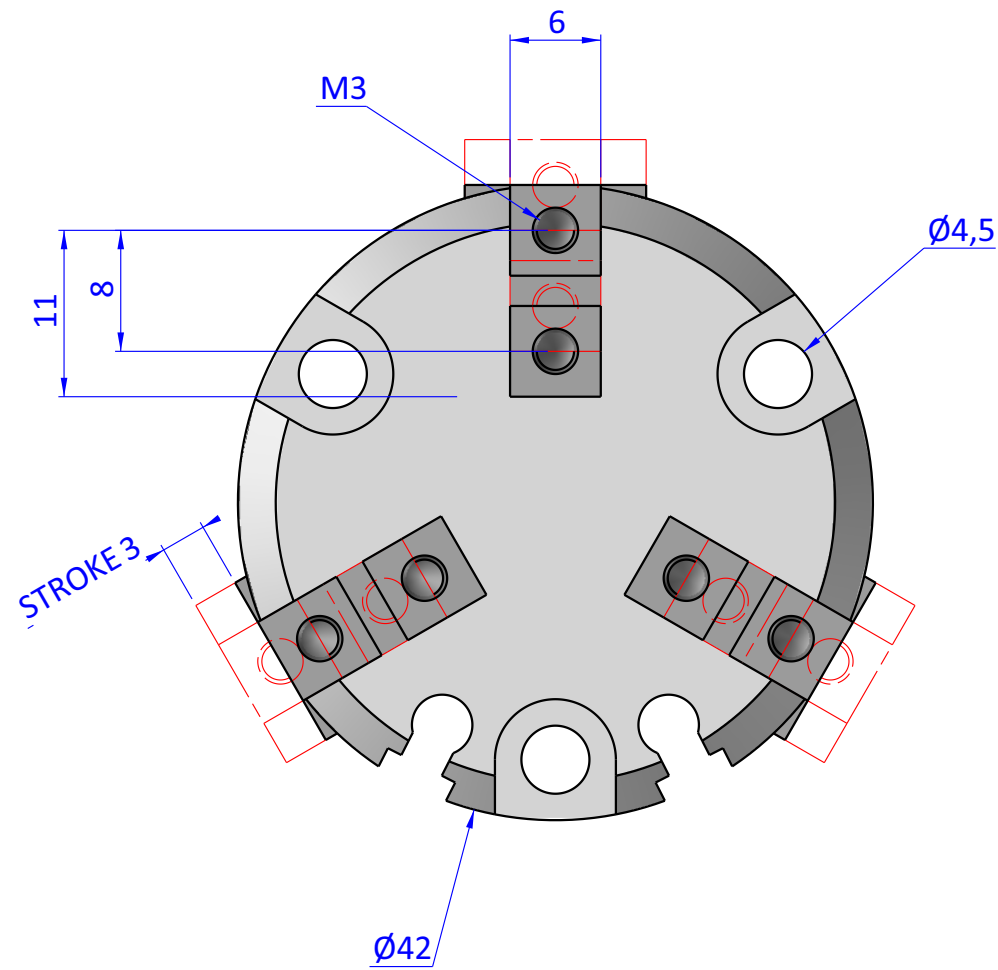
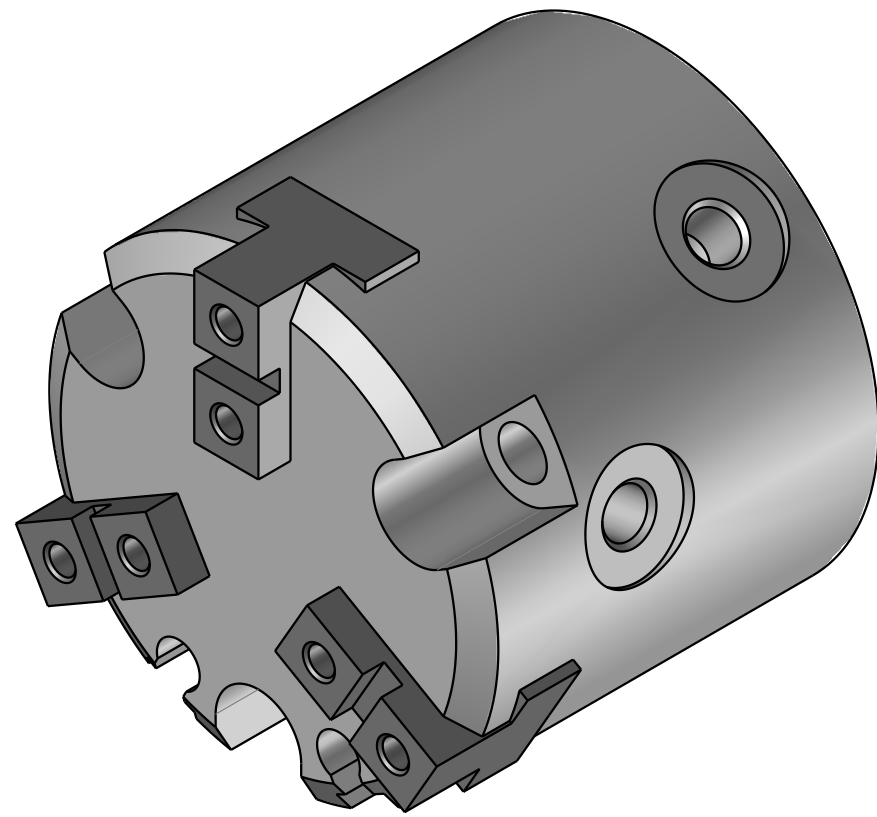

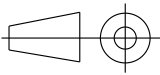


THE PROPERTY OF THE DRAWING IS ESTABLISHED BY LAW. IT IS FORBIDDEN TO PRODUCE OR SHOW IT TO THIRD PART WITHOUT A WRITTEN AGREEMENT.



Format A3

UNI 936-76

 FPS FPSERVICES AUTOMATION			DESIGNED FROM	REVIEW
			FPS Automation	A
GENERAL TOLERANCE	DESCRIPTION	CA.MHS.25	DATE	WEIGHT
UNI - ISO 2768			30/12/2022	0,140kg
CLASSE f			CODE	CA.MHS.25